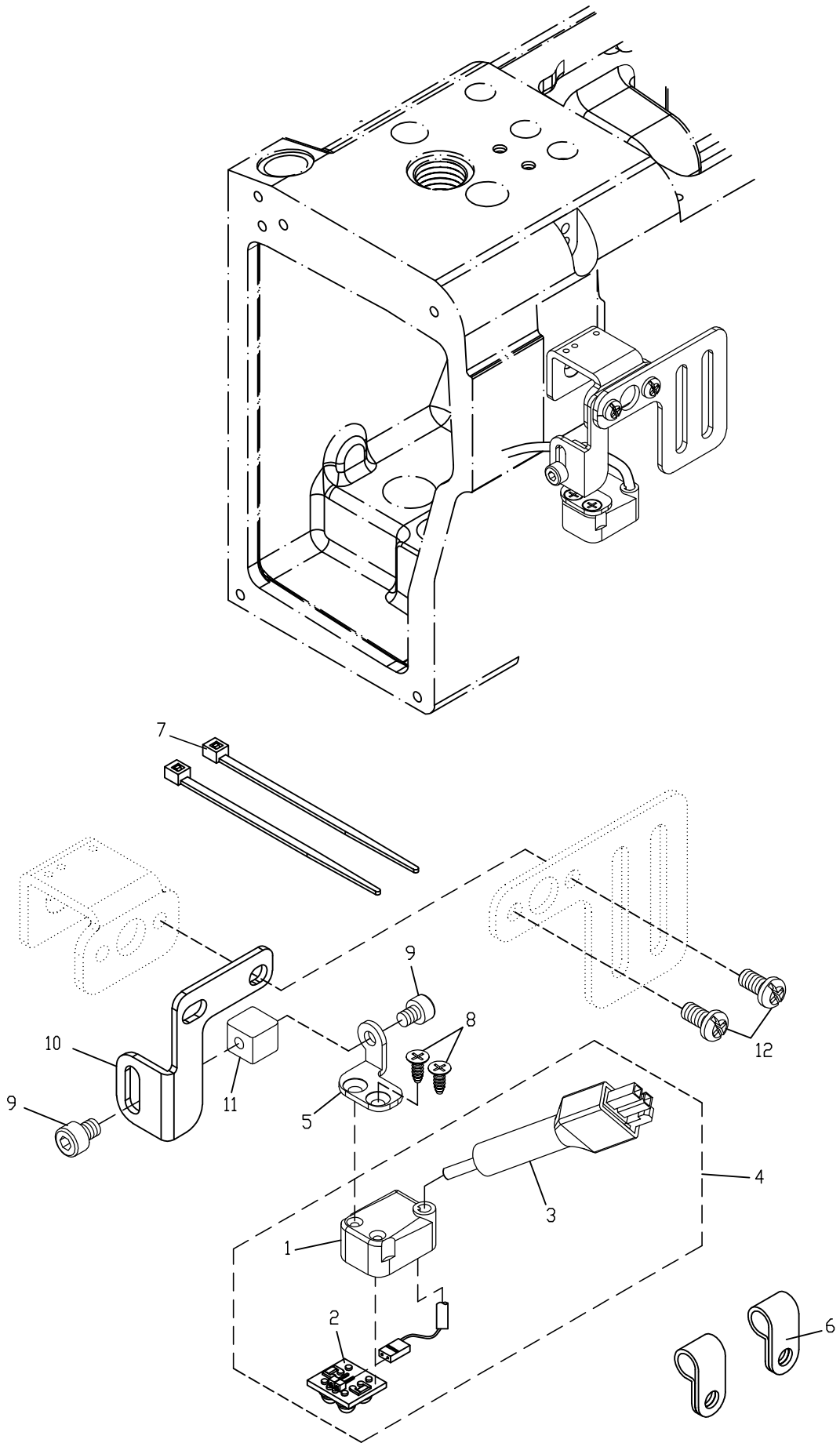


# 1. TL008 燈組 TL008 LED Light Asm



# 1. TL008 燈組 TL008 LED Light Asm

序號 Ref.No.	物料編號 Parts No.	名稱 Description	單位用量 Amt. Req.
1	2240001602	燈座 Light holder bracket -----	1
2	2240001603	燈 LED light -----	1
3	2240001604	電源線 Power connector -----	1
*4	224A0001605	燈組 Light Asm. -----	1
5	2240001606	支架 Holder Bracket -----	1
6	4UTD000254	線夾 Cord Clamp -----	2
7	4UTB020306	束線 Plastic Binding Wire -----	2
8	8TE03440806A	螺絲 Screw -----	2
9	8MM04280507A	螺絲 Screw ( UH0172 M4-0.7*5)-----	2
10	4TL00201012	支架 Holder Bracket -----	1
11	4TL0020102	活動塊 Movable Block -----	1
12	8MC04280807D	螺絲 Screw ( C0130 M4-0.7*8)-----	2

\* 需整組購買 Must be sold in complete set

TL008 適用CTU9□□□ / FTU7□□□ / CXU2□□□ 機型，配合伺服馬達使用 <型號HVP-90,i-60,i-70>

TL008 Can be used on CTU9□□□ / FTU7□□□ / CXU2□□□ series but must be used together with servo motor (model number HVP-90, i-60, i-70)